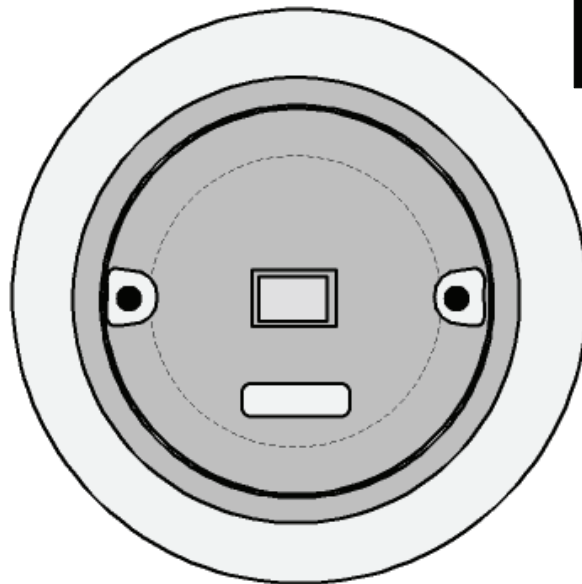
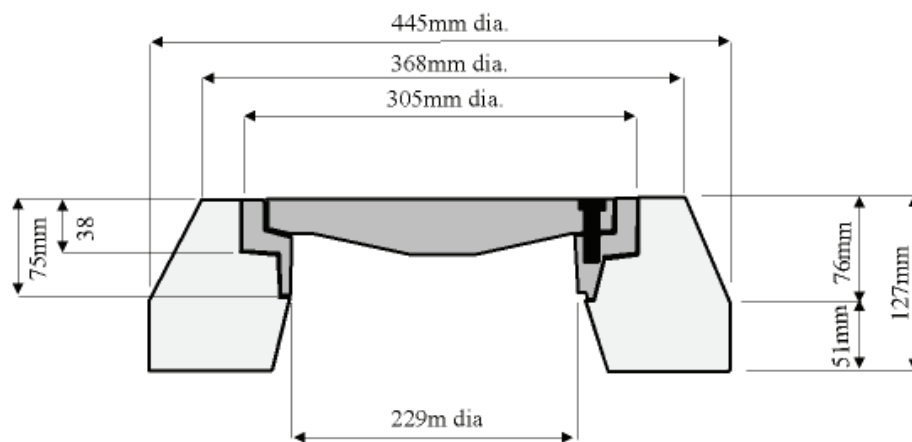


Inspection Point Cover



Raw



Encased