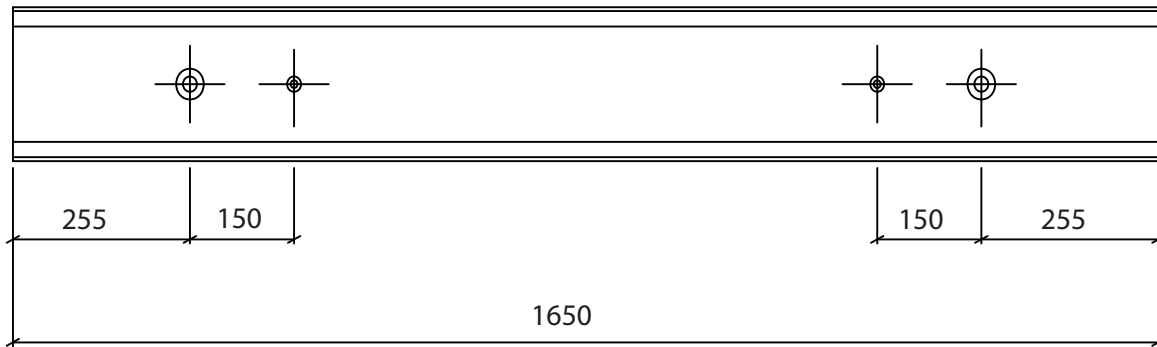




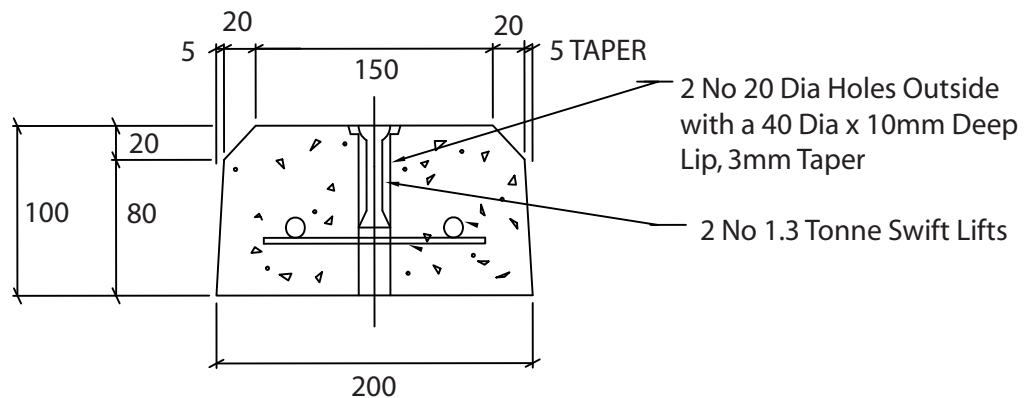
PRODUCT DRAWING

SVC PRODUCTS
38 Japaddy St, Braeside, Vic 3195.
Ph 9580 6644 Fax 9587 2805
sales@svc.net.au
www.svc.net.au
ABN 96 004 279 458

SVC Product Code	17.191
Product Description	200 x 100 x 1650 WHEEL STOP



PLAN



SECTION